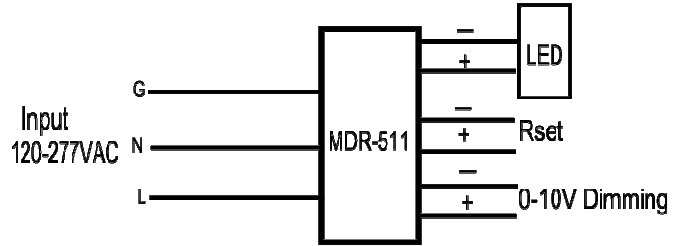


SPECIFICATIONS

Features

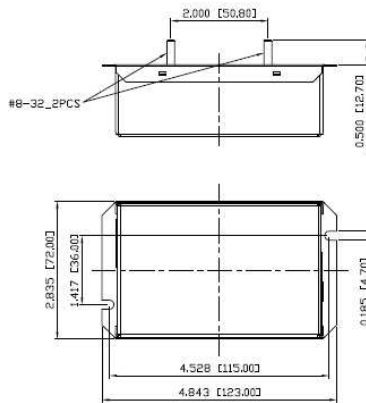
- Constant Current Output
- 0-10V Dimming
- Class II compliance
- 5 Year Warranty
- Supporting DIM TO OFF Capability
- Adjustable Current Output
- Bottom / Side wire insert

Wiring Diagram



Mechanical and Thermal

Dimensions	L4.843"xW2.835"xH1.480"
Weight	360 g
Lead Wire Length	Push In Connector
Max. Case Operation Temp.	80°C



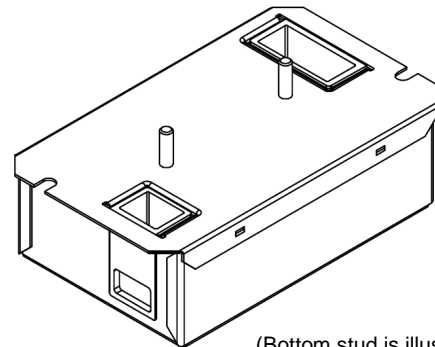
* Dimension
in Inch/Metric

Protection

- Auto-reset electronic short circuit
- Overload protection
- Inherent Thermal Protection
- Hot Wire Protection

Environmental Specifications

- Operating Temperature -20° to 60°C
- Storage Temperature -20° to 70°C
- MTBF >100,000 hrs
- RoHS Compliant
- Lead Free SMT process



(Bottom stud is illustrated,
Bottom stud is optional)

Electrical

Maximum Load	50W
Input Voltage	120-277V/60Hz
Output Voltage	23-35VDC
Output Current	1010-1400mA
Power Factor	>0.90 (23-50W)
Efficiency	80 typ.
No Load Loss	<1 W

Note –

1. UL file No.: E340871
2. Driver is designated for "Stand by mode" at minimum light intensity (<0.8Vdc) power will not be OFF.



Macron Associate Co. – Power Supply Team

NO.352, Peng-Yi Road, Taiping, Taichung, Taiwan 411

TEL: 886-4-22708357 FAX: 886-4-22767307 Email: macron@macrongroup.com

B1214